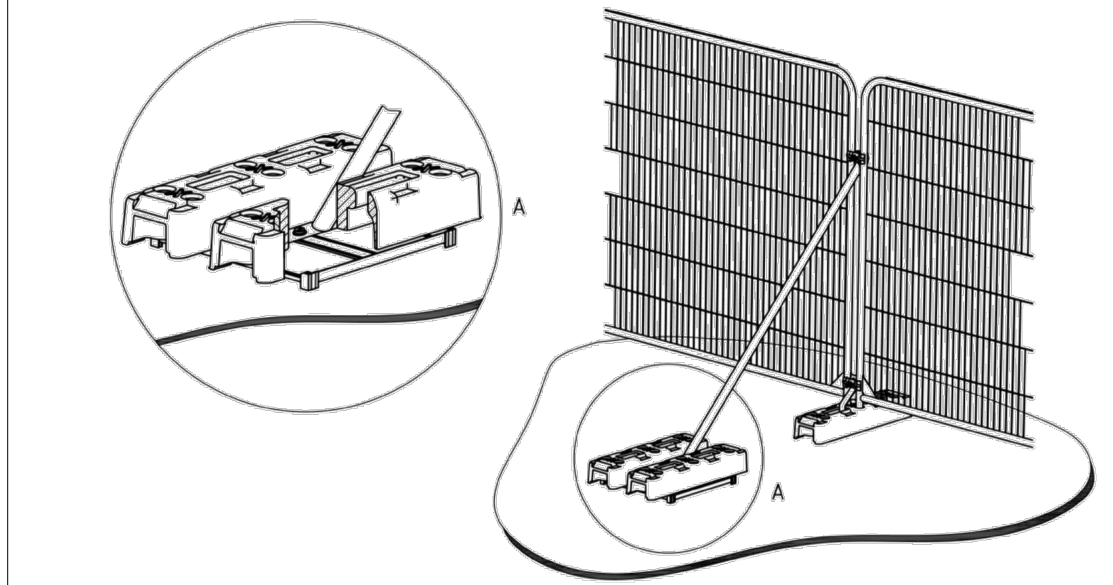


a) Stabilizer strut with base plate secured with ground pins.



b) Stabilizer strut mounted on block tray.

- 1 Porous/permeable wearing course
- 2 Separation geotextile (100-300g/m2)
- 3 HDPE geocell filled with aggregate
- 4 Base geotextile (300g/m2 min.)
- 5 Existing subgrade



Geocell 'no-dig' construction for access drives and parking near trees to minimise root damage. There are several proprietary systems based on 3-dimensional cellular confinement systems that allow pedestrian and vehicular surfaces to be laid within the RPA. Further details can be obtained from companies including Geosynthetics Cellweb and Terram Geocell.

Protective Measures

- Barriers will have all-weather notices attached with words such as: "CONSTRUCTION EXCLUSION ZONE - NO ACCESS".
- The construction exclusion zones will be protected by barriers before any materials or machinery are brought onto the site. The barriers will remain in place until completion of all works.
- Due to the highly alkaline leachate produced during the curing of wet concrete, concrete will not be poured within the RPA unless an impermeable liner has been installed.
- To avoid contamination and compaction no materials will be stored within 10 metres of a tree trunk or on any unprotected soil surfaces. This includes building materials, scaffolding, fuel, site huts and temporary toilets.
- Notice boards will not be attached to any part of a tree and no fires will be allowed within 10 metres of the canopy or the protective barrier of any retained tree.
- The main contractor will be responsible for:
 - Monitoring of all operations with regard to tree protection on site.
 - The compliance of sub-contractors.
 - Ensuring that the planning conditions attached to the planning consent are adhered to at all times.

Site Guidance Notes

- | | |
|--|---|
| 1: Monitoring protection https://www.barrelltreecare.co.uk/resources/technical-guidance/sgn01/ | 7: Excavation in root protection areas https://www.barrelltreecare.co.uk/resources/technical-guidance/sgn07/ |
| 2: Fencing protected trees https://www.barrelltreecare.co.uk/resources/technical-guidance/sgn02/ | 8: Removing surfacing and structures in root protection areas https://www.barrelltreecare.co.uk/resources/technical-guidance/sgn08/ |
| 3: Ground protection https://www.barrelltreecare.co.uk/resources/technical-guidance/sgn03/ | 9: Installing/upgrading surfacing in root protection areas https://www.barrelltreecare.co.uk/resources/technical-guidance/sgn09/ |
| 4: Pollution control https://www.barrelltreecare.co.uk/resources/technical-guidance/sgn04/ | 10: Installing structures in root protection areas https://www.barrelltreecare.co.uk/resources/technical-guidance/sgn10/ |
| 5: Site cranes and piling rigs https://www.barrelltreecare.co.uk/resources/technical-guidance/sgn05/ | 11: Installing services in root protection areas https://www.barrelltreecare.co.uk/resources/technical-guidance/sgn11/ |
| 6: Height restrictions https://www.barrelltreecare.co.uk/resources/technical-guidance/sgn06/ | 12: Landscaping in root protection areas https://www.barrelltreecare.co.uk/resources/technical-guidance/sgn12/ |

Park Farm Cottage Stubton

Tree Protection Plan: Rev B

25-Oct-23 Scale 1:100 at A1

Park Farm Cottage, Stubton A1A.dwg

| Ref. | Common Name | Physiol. | Struct. | Category | RPA Rad. |
|------|------------------|----------|---------|----------|----------|
| G5 | Flowering cherry | Good | Good | C2 | 0.8m |
| G6 | Mixed group | Good | Fair | C2 | 0.8m |
| G8 | Mixed group | Good | Good | C2 | 1.1m |
| G9 | Mixed group | Good | Good | C2 | 1.3m |
| T1 | Norway spruce | Good | Good | C2 | 3m |
| T2 | Apple | Good | Good | B2 | 5.4m |
| T3 | Monkey puzzle | Good | Good | C2 | 2.8m |
| T4 | Flowering cherry | Fair | Poor | U | 3.2m |
| T7 | Holly | Good | Good | C2 | 2.1m |
| T10 | Oak | Good | Good | A2 | 11.5m |
| T11 | Weeping willow | Good | Good | B2 | 7.2m |
| T12 | Silver birch | Good | Good | B2 | 2.2m |

PROPOSED ORCHARD & WILDLIFE MEADOW



Existing buildings for removal hatched dark grey.
Replacement dwellings hatched light grey.

All dimensions in metres