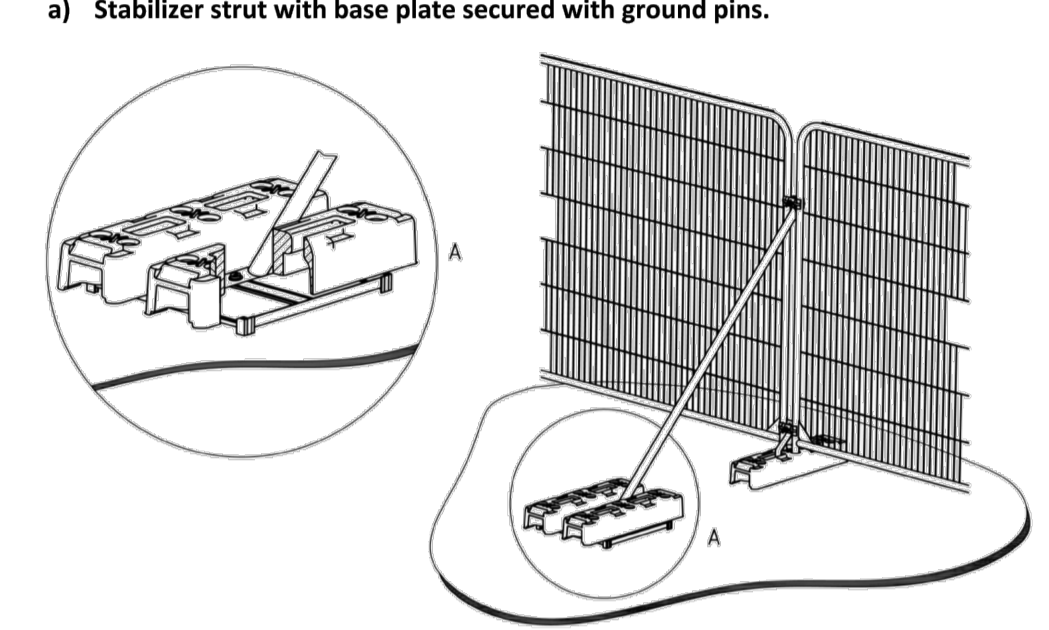
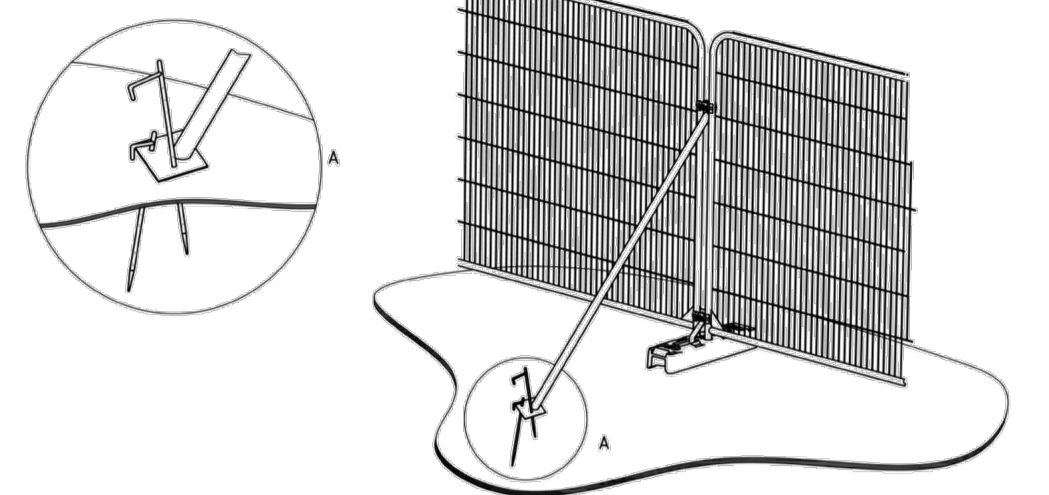


Existing buildings for removal hatched dark grey.
Replacement dwellings hatched light grey.

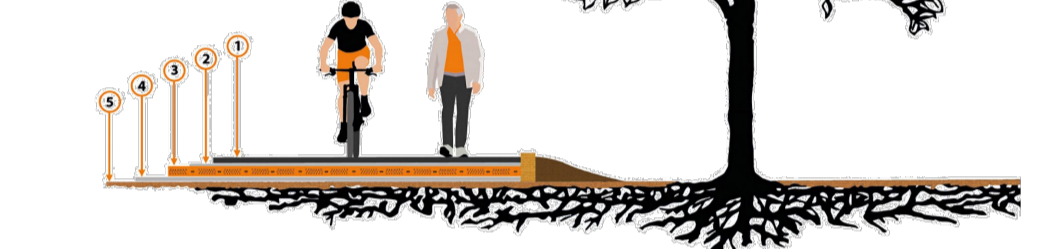
Ref.	Common Name	Physiol.	Struct.	Category	RPA Rad.
G5	Flowering cherry	Good	Good	C2	0.8m
G6	Mixed group	Good	Fair	C2	0.8m
G8	Mixed group	Good	Good	C2	1.1m
G9	Mixed group	Good	Good	C2	1.3m
T1	Norway spruce	Good	Good	C2	3m
T2	Apple	Good	Good	B2	5.4m
T3	Monkey puzzle	Good	Good	C2	2.8m
T4	Flowering cherry	Fair	Poor	U	3.2m
T7	Holly	Good	Good	C2	2.1m
T10	Oak	Good	Good	A2	11.5m
T11	Weeping willow	Good	Good	B2	7.2m
T12	Silver birch	Good	Good	B2	2.2m

Examples of Tree Protection Barriers from BS5837 2012



b) Stabilizer strut mounted on block tray.

- 1 Porous/permeable wearing course
- 2 Separation geotextile (100-300g/m2)
- 3 HDPE geocell filled with aggregate
- 4 Base geotextile (300g/m2 min.)
- 5 Existing subgrade



Geocell 'no-dig' construction for access drives and parking near trees to minimise root damage. There are several proprietary systems based on 3-dimensional cellular confinement systems that allow pedestrian and vehicular surfaces to be laid within the RPA. Further details can be obtained from companies including Geosynthetics Cellweb and Terram Geocell.

Protective Measures

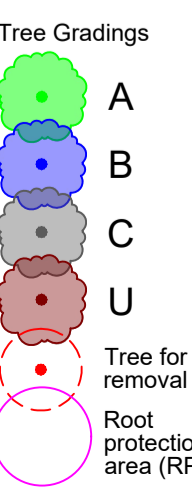
- Barriers will have all-weather notices attached with words such as: "CONSTRUCTION EXCLUSION ZONE - NO ACCESS".
- The construction exclusion zones will be protected by barriers before any materials or machinery are brought onto the site. The barriers will remain in place until completion of all works.
- Due to the highly alkaline leachate produced during the curing of wet concrete, concrete will not be poured within the RPA unless an impermeable liner has been installed.
- To avoid contamination and compaction no materials will be stored within 10 metres of a tree trunk or on any unprotected soil surfaces. This includes building materials, scaffolding, fuel, site huts and temporary toilets.
- Notice boards will not be attached to any part of a tree and no fires will be allowed within 10 metres of the canopy or the protective barrier of any retained tree.
- The main contractor will be responsible for:
 - Monitoring of all operations with regard to tree protection on site.
 - The compliance of sub-contractors.
 - Ensuring that the planning conditions attached to the planning consent are adhered to at all times.

Site Guidance Notes

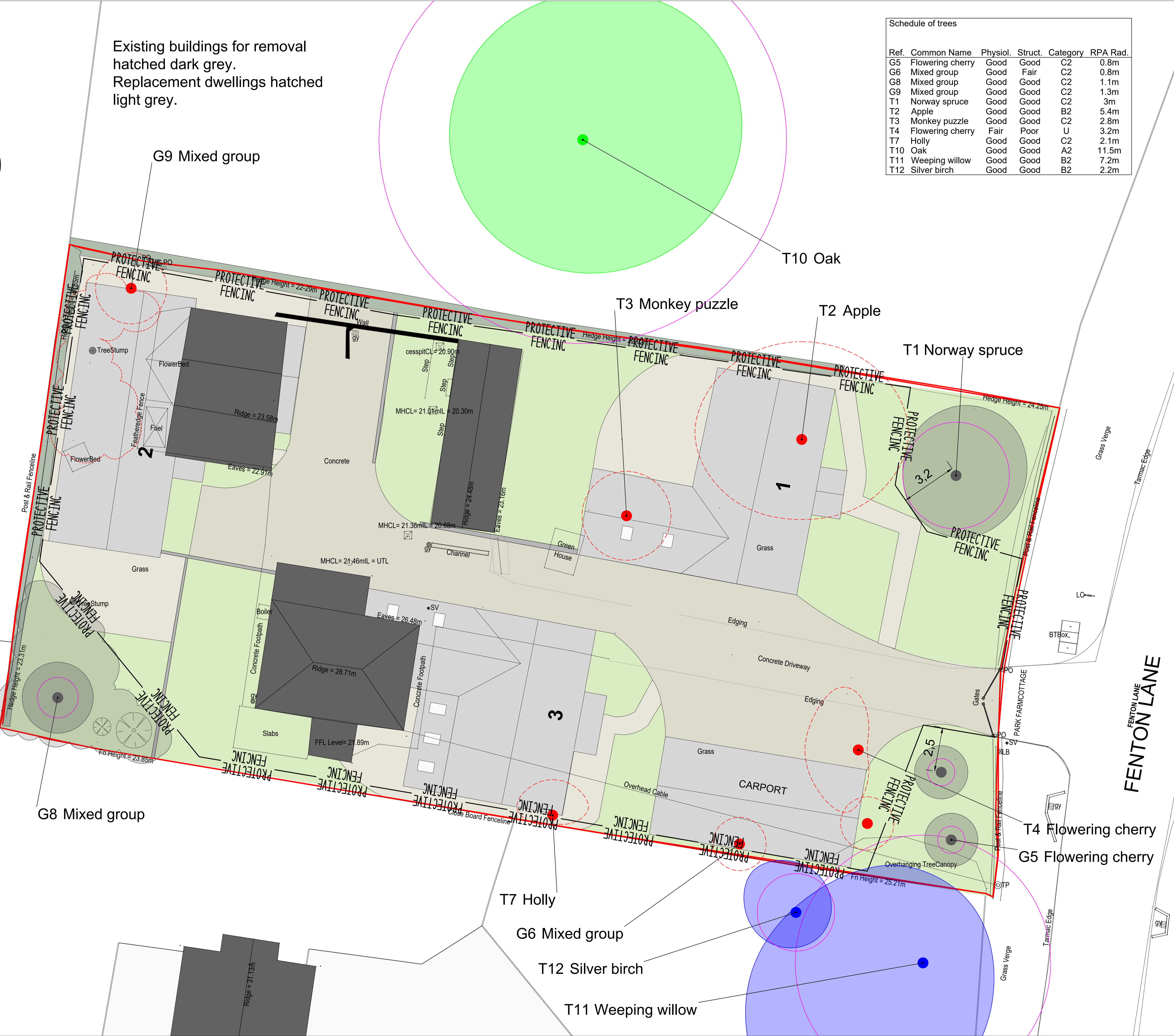
- | | |
|---|--|
| 1: Monitoring protection
https://www.barrelltreecare.co.uk/resources/technical-guidance/sgn01/ | 7: Excavation in root protection areas
https://www.barrelltreecare.co.uk/resources/technical-guidance/sgn07/ |
| 2: Fencing protected trees
https://www.barrelltreecare.co.uk/resources/technical-guidance/sgn02/ | 8: Removing surfacing and structures in root protection areas
https://www.barrelltreecare.co.uk/resources/technical-guidance/sgn08/ |
| 3: Ground protection
https://www.barrelltreecare.co.uk/resources/technical-guidance/sgn03/ | 9: Installing/upgrading surfacing in root protection areas
https://www.barrelltreecare.co.uk/resources/technical-guidance/sgn09/ |
| 4: Pollution control
https://www.barrelltreecare.co.uk/resources/technical-guidance/sgn04/ | 10: Installing structures in root protection areas
https://www.barrelltreecare.co.uk/resources/technical-guidance/sgn10/ |
| 5: Site cranes and piling rigs
https://www.barrelltreecare.co.uk/resources/technical-guidance/sgn05/ | 11: Installing services in root protection areas
https://www.barrelltreecare.co.uk/resources/technical-guidance/sgn11/ |
| 6: Height restrictions
https://www.barrelltreecare.co.uk/resources/technical-guidance/sgn06/ | 12: Landscaping in root protection areas
https://www.barrelltreecare.co.uk/resources/technical-guidance/sgn12/ |

AT2 TREE SURVEY.CO.UK

Park Farm Cottage Stubton
Tree Protection Plan: Rev A
10-May-23 Scale 1:100 at A1
Park Farm Cottage, Stubton A1A.dwg



All dimensions in metres



G9 Mixed group
G8 Mixed group
G6 Mixed group
T10 Oak
T3 Monkey puzzle
T2 Apple
T1 Norway spruce
T4 Flowering cherry
G5 Flowering cherry
T7 Holly
T12 Silver birch
T11 Weeping willow

FENTON LANE
FENTON LANE